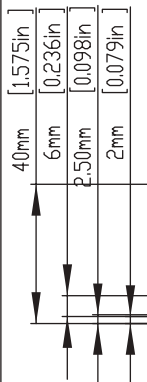
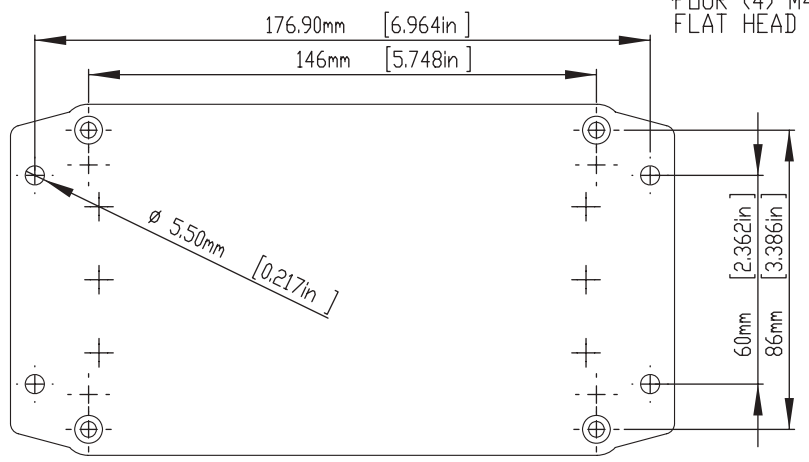
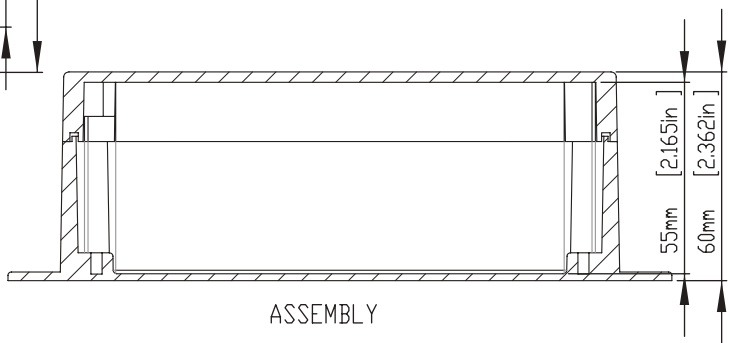


SECTION B-B
SCALE 2 : 3

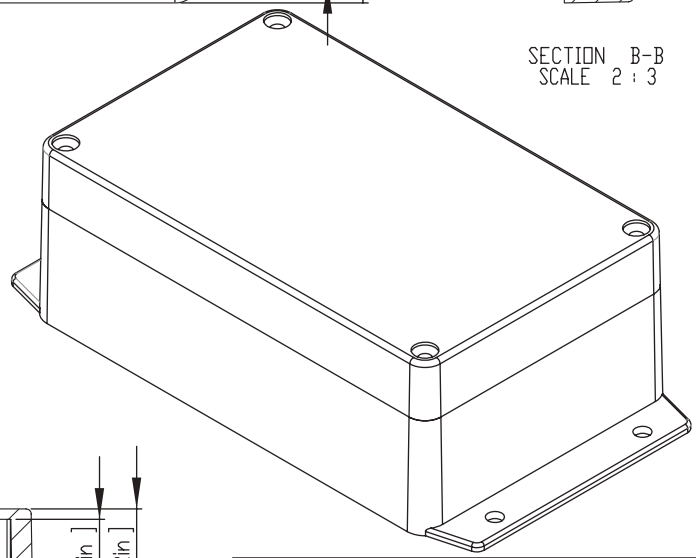
FOUR (4) M4X30 mm
FLAT HEAD SCREWS



SECTION A-A
SCALE 2 : 3



ASSEMBLY



According to ISO 2768-m

Measuring DIM=L	Tolerances
0.5<L<=3.0mm	±0.1mm
3.0<L<=6.0 mm	±0.1mm
6.0<L<=30.0 mm	±0.2mm
30.0<L<=120.0 mm	±0.3mm
120.0<L<=400.0 mm	±0.5mm
400.0<L<=1000.0 mm	±0.8mm

宣又實業有限公司 GAINTA INDUSTRIES LTD.	繪圖	DRA'D BY	日期	DATE	材質	MATE.	圖名TITLE:	圖號DWG NO:	版次REVISID:
		JACKY		2013/04/01		ALUMINIUM ALLOY ADC-12	G116MF		A