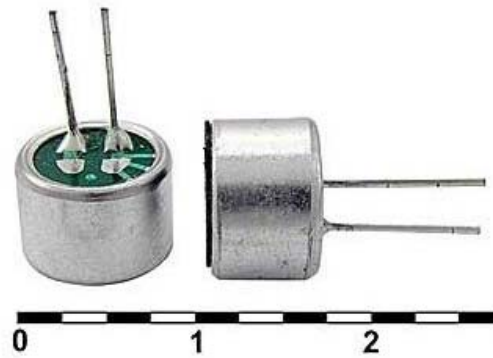
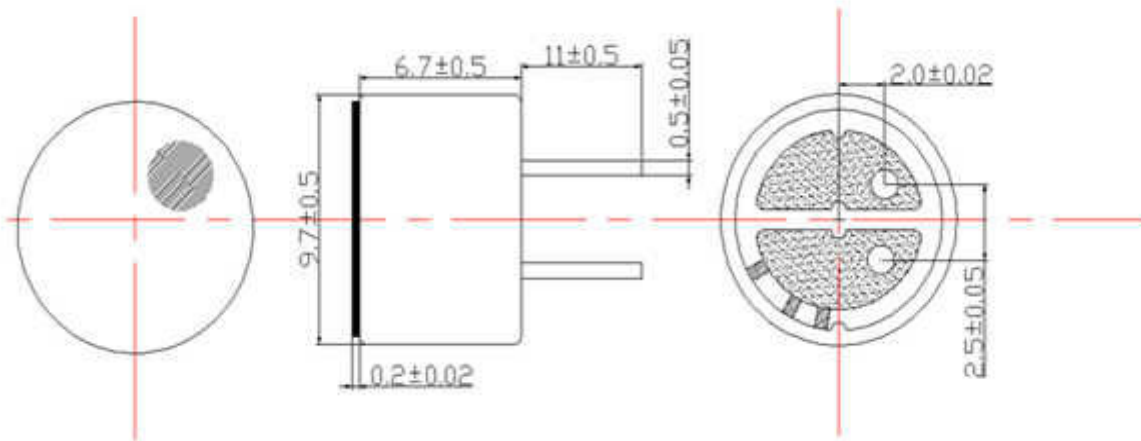


TYPE	UNIT	ECM-4F- (P)
Sensitivity	dB	(-52dB~-70dB)±3dB
Directivity		omnidirectional
frequency	Hz	50-16,000
Impedance		Low impedance
Dimensions	mm	Φ9.7*6.7
Operation voltage	v	1.5-10
Current consumption	mA	Max0.5
S/N ratio	dB	>60
PIN	mm	3.5-13

ECM-4F- (P)



**Dimensional Drawing:**



**Internal and Test circuit for Mics:**

